



StreamLine® Low Profile Combination Sounder/Strobe

Model LP7

PERFECT SIZE MEETS SUPERIOR PERFORMANCE

- Available in 18–30VDC
- Fully integrated xenon strobe circuit
- Five dome colors — Amber, Blue, Clear, Green, Red
- Heavy duty ABS plastic body
- Type 4X, IP54 (IP65 with optional deep base)
- 82–100dB @ 10' (92–110dB @ 1m)
- Type 4X, IP54 (IP65 with optional deep base)
- CE Compliant

Providing an audible/visual warning, the LP7 sounder/strobe combines the features of a mini sounder with a fully integrated xenon strobe circuit. The result is an attractive unit suitable for internal or external locations where a combination of high sound output and visual signal is required.

The strobe color choices include amber, clear, green, blue or red. The unit comes with a standard shallow base. An optional deeper base allows 20mm diameter conduit entry.

Operating voltage ranges from 18-30VDC with an average of only 68mA current consumption.

The LP7 has two switchable tone patterns - “Sweeping” and “Continuous”.

The LP7 has a range of 82dB–100dB @ 10' (92–110dB @ 1m), dependent upon tone selected. Volume control allows for 20dB of adjustment.

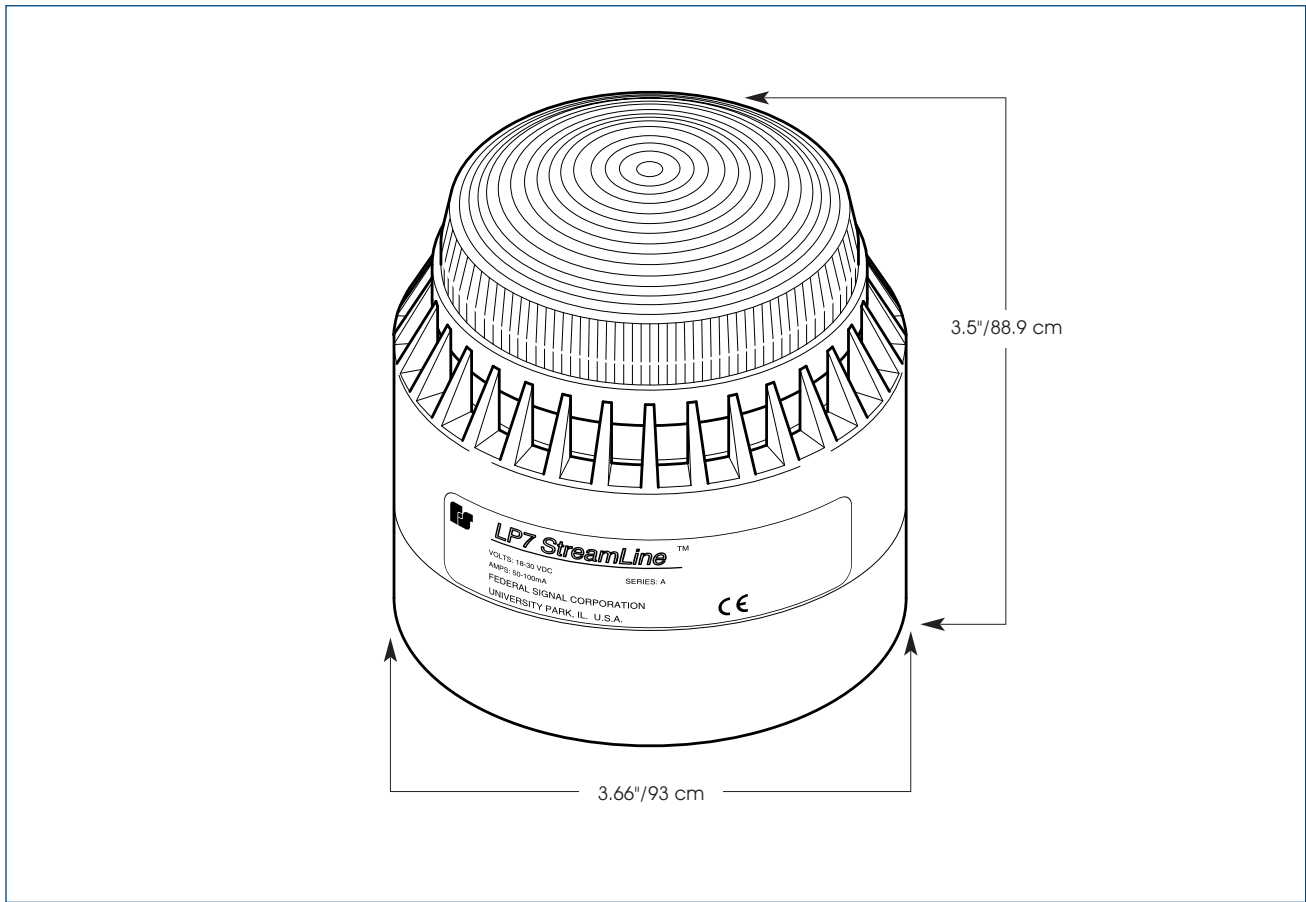
The LP7 features a bright xenon strobe that produces 0.7 Joules of flash energy with a flash frequency of 60 flashes per minute. The beacon will operate with any tone selected.

The Federal Signal Model LP7 sounder/strobe is PLC compatible. It is ideal for wall or panel mount applications where low voltage is required.

Model	Voltage	Operating Current	Flash Rate/Minute	Joule Output	Decibels @ 10'	Decibels @ 1m
LP7	18-30VDC	0.068 amps	60	0.7	82-100	92-110



STREAMLINE® LOW PROFILE SOUNDER/STROBE (LP7)



SPECIFICATIONS

Operating Temperature:	-40°F to 176°F	-40°C to 80°C
Net Weight:	11.1 oz.	315.0 kg
Shipping Weight:	13.5 oz.	383.0 kg
Height:	3.5"	88.9 cm
Diameter:	3.66"	93.0 cm

HOW TO ORDER

- Specify model, voltage and color
- Specify options:
Deep Base (DBLP)
- Please refer to Model Number Index LP7 beginning on page 377